

DWDM MUX DEMUX MODULE

Description

DWDM multi-channel multiplexer /demultiplexer (Mux /DeMux) modules are available on ITU channel spacing of 100GHz. They demonstrate low loss, temperature insensitivity and reliable performance in any system application.

Fixed Mux/DeMux modules offer low-cost wavelength management solutions that are suitable for long haul, metro, and access application

Features:

- Low Insertion Loss
- High Isolation
- Low PDL
- Compact Design
- Good channel-to-channel uniformity
- Wide Operating Wavelength
- Wide Operating Temperature: -20 to 70°C

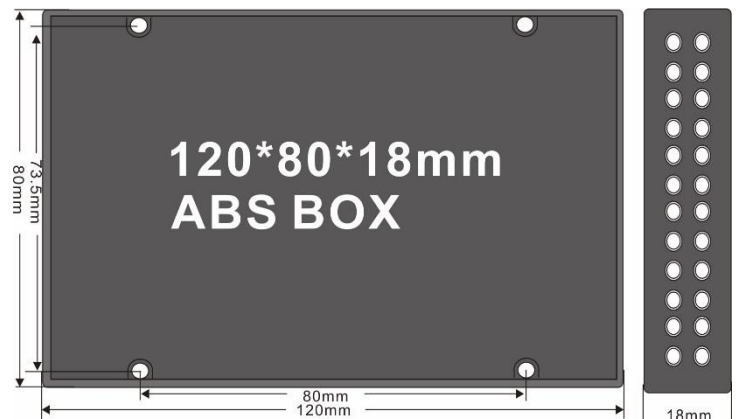
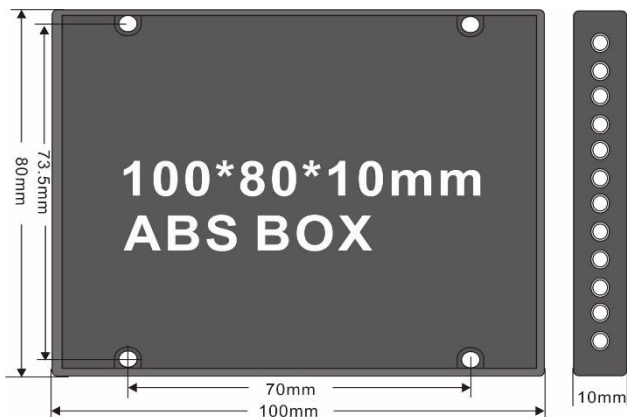
Application:

- DWDM systems, fiber optical amplifier
- CATV links, wavelength routing
- PON networks

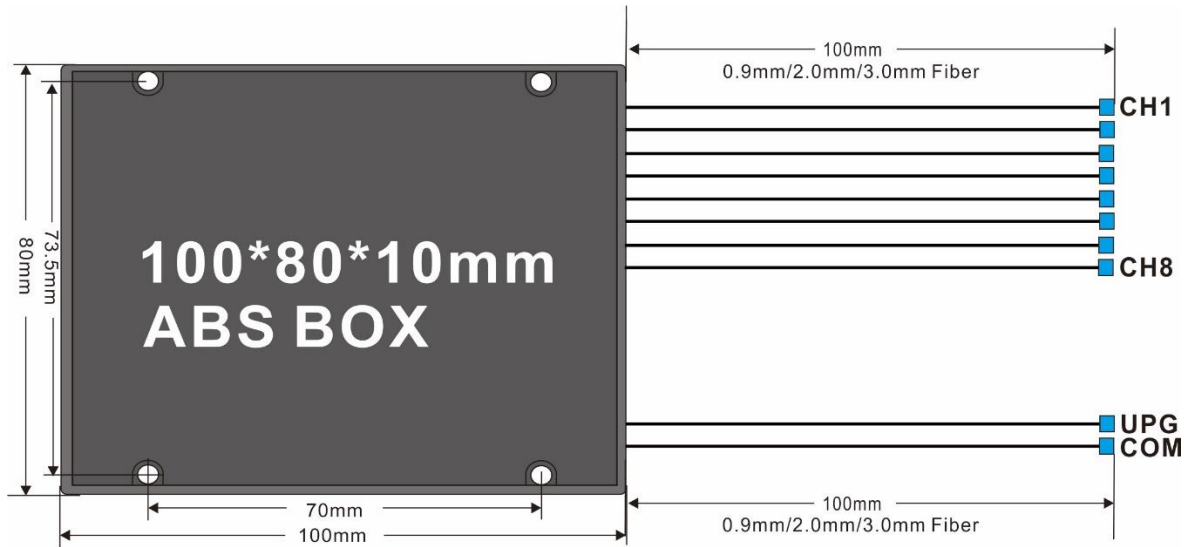
Package Information

1) ABS BOX 100*80*10mm

2) ABS BOX 120*80*18mm



Fiber Type:



Note: Fiber diameter can be 0.9mm/2.0mm/3.0mm. Fiber length is 1M or others. Connector can be LC/SC/FC, or others. If you want to order, please check with us first.

Product specification

Item	Unit	Parameters		
Channel Spacing	GHz	100GHz		
Wavelength Range		C- band ITU channels		
Channel Centers	nm	ITU		
Channels	ch	4	8	16
Passband width	nm	≥ +/- 0.13		
Passband Ripple	dB	≤ 0.5		
Channel Insertion Loss	dB	≤1.5	≤2.5	≤4.8
Channel EXP Insertion Loss	dB	≤1.8	≤2.8	≤5.0
Isolation (adjacent channel)	dB	≥30		
Isolation (non-adjacent channel)	dB	≥ 40		
Polarization Dependent Loss	dB	≤ 0.2		
Polarization Mode Dispersion	ps	≤ 0.2		
Directivity	dB	≥ 50		
Return Loss	dB	≥ 45		
Optical Power Handling	mW	≤ 500		
Operating Temperature Range	°C	-5 to 70		
Storage Temperature Range	°C	-40 to +85		
Fiber Type	NA	SMF-28e+		
Package dimensions	mm	100*80*10mm ABS	120*80*18mm ABS	
Connector		LC/SC/FC or other		

Notes: 1) Support Customized Design

2) If you want to order, please email us and tell us how many waves and which waves do you want, we will send you more detail datasheet which you want.